

VANGO 1000-E

Full Electric Self-lift Stacker



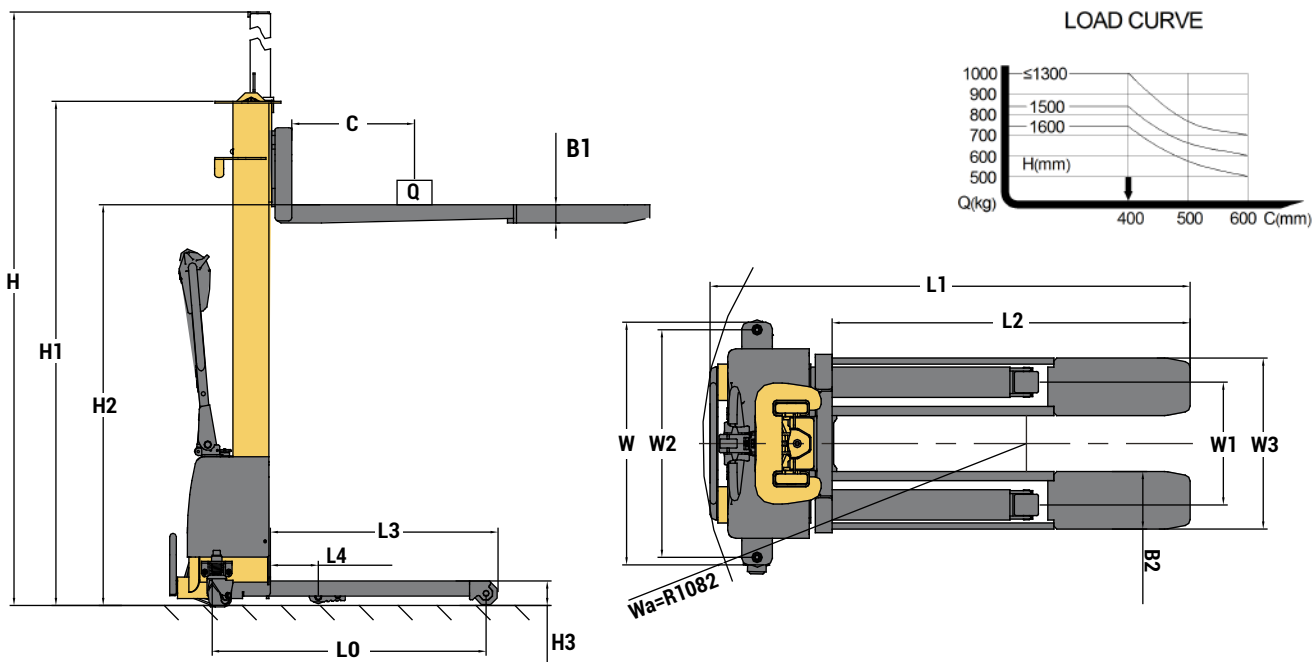
INTRODUCTION

- ◆ **Unique brushless technology**
Powerful and maintenance free;
Offering 20% energy savings compared to traditional brushed motors.
- ◆ **Widened shock-absorbing universal wheel**
Making the whole vehicle more stable while ensuring the vehicle's passability.
- ◆ **Adjustable middle wheel design**
Enhancing passability, allowing the vehicle to adapt smoothly to various road conditions, including asphalt, cement, and slopes.
- ◆ **Compact modular design**
Occupying minimal space in the truck when in use.
- ◆ **Safety travel speed limit**
To ensure safety when the fork is at a high position.
- ◆ **Anti-escape design of the middle wheel**
- ◆ **Chrome-plated legs**
- ◆ **Made from alloy steel**
- ◆ **Lightweight design of the whole truck**
- ◆ **Energy saving**
The descent is controlled separately by power descent and gravity descent. Gravity descent does not consume electricity.



SPECIFICATIONS

| MODEL | | VANGO1000-E | |
|------------------------|--------------------------------------|-------------|---------|
| CHARACTERISTICS | | | |
| 1.1 | Type of Power | | Battery |
| 1.2 | Max. Load | Q kg | 1000 |
| 1.3 | Load Center | C mm | 400 |
| 1.4 | Wheelbase | L0 mm | 914 |
| 1.5 | Wheel Distance: FR | W1 mm | 405 |
| 1.6 | Wheel Distance: RR | W2 mm | 752 |
| 1.7 | Type of Operation | | Walk |
| WHEELS | | | |
| 2.1 | Front Wheel | mm | φ80×70 |
| 2.2 | Universal Wheel | mm | Φ75×45 |
| 2.3 | Middle Wheel | mm | Φ45×30 |
| 2.4 | Driving wheel | mm | Φ185×70 |
| 2.5 | Middle Wheel Position | L4 mm | 160 |
| SPECIFICATION | | | |
| 3.1 | Length of Outriggers | L3 mm | 760 |
| 3.2 | Max. Fork Height | H mm | 1300 |
| 3.3 | External Distance Between Forks | W3 mm | 565 |
| 3.4 | Length of Fork | L2 mm | 1195 |
| 3.5 | Thickness of Fork | B1 mm | 60 |
| 3.6 | Width of Fork | B2 mm | 190 |
| 3.7 | Overall Length | L1 mm | 1602 |
| 3.8 | Overall Width | W mm | 802 |
| 3.9 | Overall Height (Mast Closed) | H1 mm | 1666 |
| 3.10 | Overall Height (Max. Fork Height) | H1 mm | 2850 |
| PERFORMANCE | | | |
| 4.1 | Lifting speed | mm/s | 55 |
| 4.2 | Descent speed | mm/s | 100 |
| 4.3 | Lift Motor Power | kw | 1.6 |
| 4.4 | Driving Motor Power | kw | 0.6 |
| 4.5 | Max. speed(Turtle speed / full-load) | km/h | 1 / 3.5 |
| 4.6 | Grade Ability(Full-load/No-load) | % | 5/10 |
| BATTERY | | | |
| 5.1 | Battery Voltage | V | 48 |
| 5.2 | Battery Capacity | Ah | 25 |
| WEIGHT | | | |
| 6.1 | Battery Weight | kg | 5 |
| 6.2 | Total Weight (Include Battery) | kg | 332 |



MAKE YOUR JOB EASIER